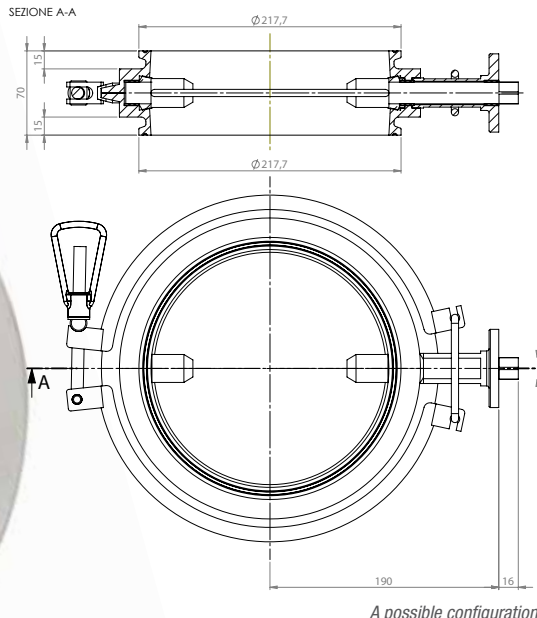


INTERCEPTION  
**STERIVALVE**



Sterivalve is part of the modular system (see modular system sheet). This valve is designed to interrupt bulk solid products (powders, granules, etc.) flow.



### TYPICAL APPLICATIONS:

Interruption of products flow on containers, hoppers and pipes

### MAIN FEATURES:

- Manufactured according to cGMP and EHEDG guidelines
- Suitable for CIP and SIP

### MATERIALS:

- Body and Butterfly:  
Stainless steel EN 1.4404 (AISI 316L)
- Seals:  
Translucent Silicone, EPDM, FKM (Viton®), PTFE

### MOTION DRIVE:

- Handle
- Pneumatic actuator

### DECLARATIONS AND CERTIFICATIONS:

- FDA Certification (CFR § 177.2600)
- Material Certificate 3.1 as per EN10204
- ATEX

### SIZES:

80	100	150	200	250	300	350	400
----	-----	-----	-----	-----	-----	-----	-----

### FINISH:

Ra 0.5 µm internal, 1.2 µm external

 **STERIVALVES**  
Process Advantage

Via Enrico Mattei, 293/N, 55100 Lucca, Italy  
T +39 0583 440 560 F +39 0583 440 559 | [www.sterivalves.eu](http://www.sterivalves.eu)

*We are able to meet all requirements,  
depending on the specific application*