

CONTAINMENT

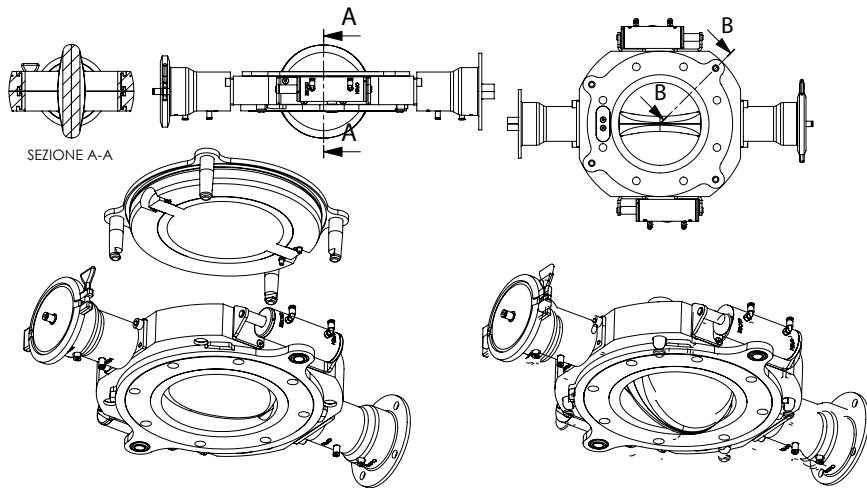
HIGH CONTAINMENT STERISPLIT



STERIVALVES
Process Advantage

766

SteriSplit is a high-containment valve designed to transfer powders in safety for sterile or potentially toxic products. It is made up two parts, active and passive, both provided with semi-butterfly and seal, which are coupled perfectly during the product transferring.



A possible configuration



Other possible configuration

TYPICAL APPLICATIONS:

Every time that it is necessary to preserve the safety of the operator and the quality of the product: active substances, hormones, antibiotics, injectables, toxic products

MAIN FEATURES:

- Manufactured according to cGMP and EHEDG guidelines
- Easy to clean
- Suitable for CIP with appropriate equipment

MATERIALS:

- Body and Butterfly:
Stainless steel EN 1.4404 (AISI 316L)
- Seals:
Translucent Silicone, EPDM, FKM (Viton®)

MOTION DRIVE:

- Actuator
- Handle

DECLARATIONS AND CERTIFICATIONS:

- FDA Certification (CFR § 177.2600)
- Material Certificate 3.1 as per EN10204
- ATEX

SIZES:

50	100	150	200	250
----	-----	-----	-----	-----

FINISH:

Ra 0.5 µm internal, 1.2 µm external